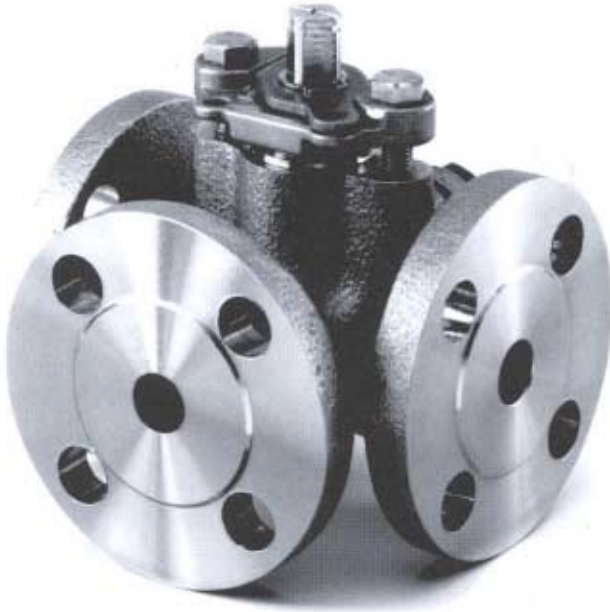


FLANGED 3-WAY, 4-SEATED BALL VALVES CLASS 150

L-PORT (150UTB4LAM ½"~4", 150UTR4LAM 6"~8")

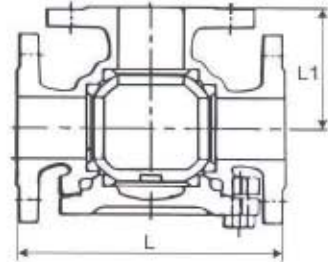
T-PORT (150UTB4TAM ½"~4", 150UTR4TAM 6"~8")



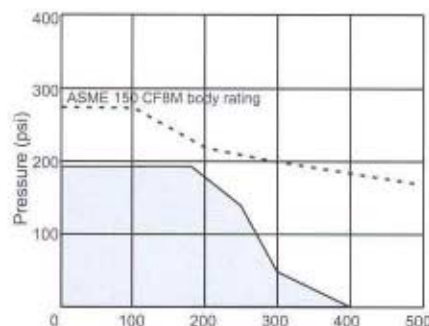
- Used for straight through flow and diverting or mixing process media.
- One 3-Way valve can replace several other valves PLUS the associated piping spool pieces.
- Rugged back entry configuration for easier maintenance.
- Full Port ½"~4"
Regular Port 6"~8"
- NACE MR-01-75
- Integral actuator mounting flange.
- Low operating torques
- Anti-static device
- Traditional KITZ quality and durability

DIMENSIONAL and WEIGHT DATA

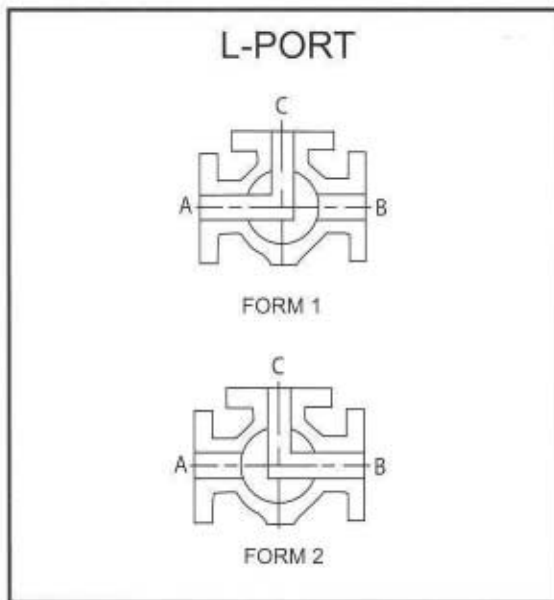
VALVE SIZE, in	LENGTH L, in	BRANCH L1, in	APPROX WT, lbs
½	4.72	2.56	8.60
¾	5.51	2.76	11.47
1	6.30	3.15	16.54
1½	7.09	3.54	30.87
2	7.87	3.94	39.69
2½	9.45	4.72	57.33
3	10.31	5.16	72.77
4	13.46	6.73	94.82
6	16.02	8.01	180.81
8	18.23	9.11	275.63



PRESSURE-TEMPERATURE RATING



ALLOWABLE PORT ORIENTATION



FORM 1

Flow is between Ports "A" and "C" and can be in either direction.

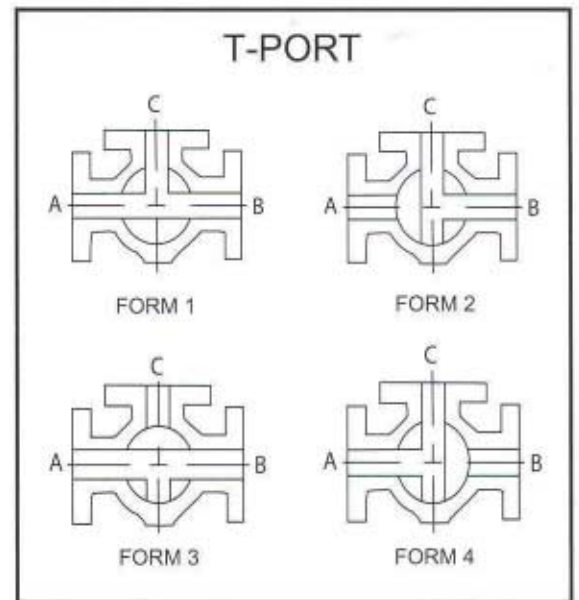
There is a positive shutoff from Port "B". However, if the system pressure in this direction is much higher than in the flow direction there may be slight leakage to either Port "A" or Port "C".

FORM 2

Flow is between Port "B" and "C" and can be in either direction.

There is a positive shutoff from Port "A". However, if the system pressure in this direction is much higher than in the flow direction there may be slight leakage to either Port "B" or Port "C".

PROCESS MEDIA MAY MIX WHEN SWITCHING PORT ORIENTATION



FORM 1

All Ports are open.

FORM 2

Flow is between Ports "B" and "C" and can be in either direction.

There is a positive shutoff from Port "A". However, if the system pressure in this direction is much higher than in the flow direction there may be slight leakage to either Port "B" or Port "C".

FORM 3

Flow is between Ports "A" and "B" and can be in either direction.

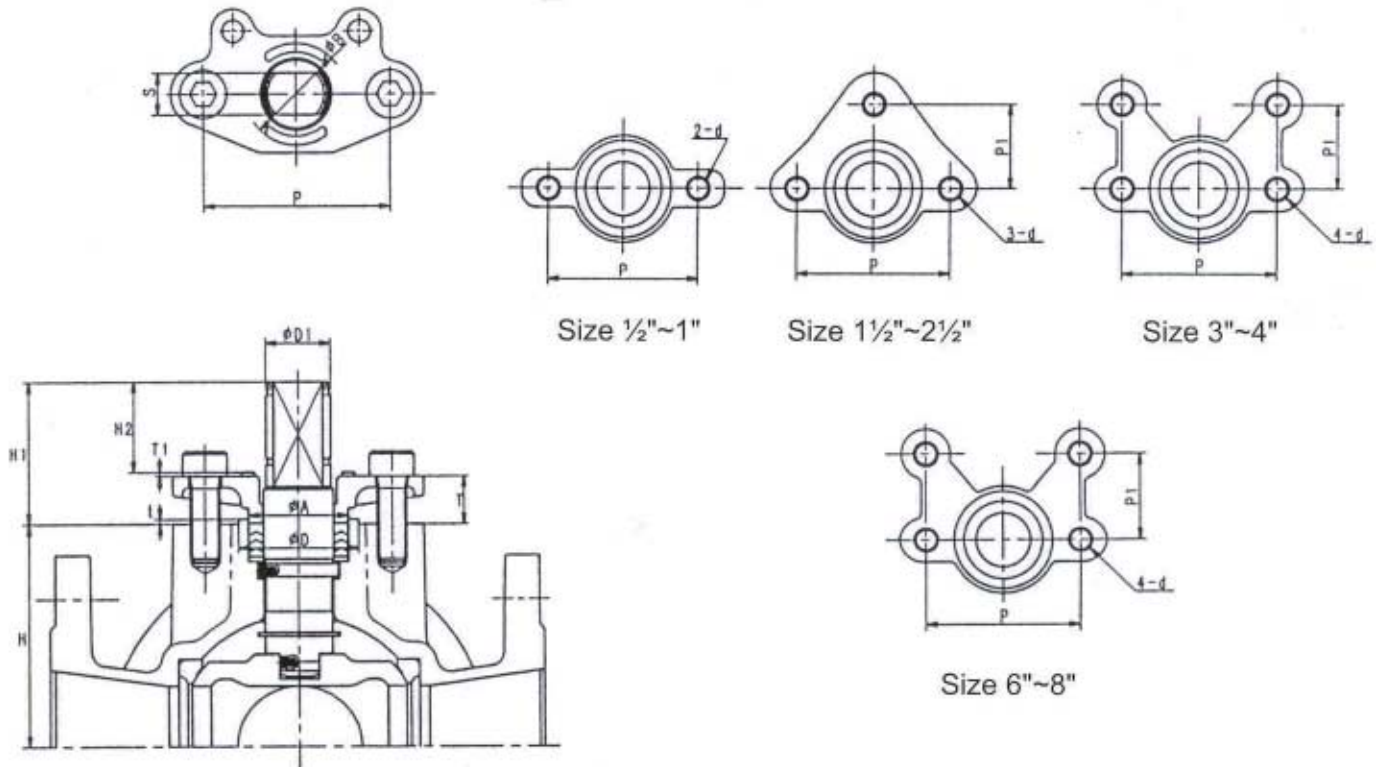
There is a positive shutoff from Port "C". However, if the system pressure in this direction is much higher than in the flow direction there may be slight leakage to either Port "A" or Port "B".

FORM 4

Flow is between Port "A" and "C" and can be in either direction.

There is a positive shutoff from Port "B". However, if the system pressure in this direction is much higher than in the flow direction there may be slight leakage to either Port "A" or Port "C".

MOUNTING PAD AND STEM PROJECTION DATA



VALVE SIZE, in	DIMENSIONS, Inches								
	H	H1	H2	P	P1	d	D1	S	B
1/2	1.77	1.42	0.78	1.97	-	M8	0.59	0.40	1.06
3/4	1.89	1.42	0.78	1.97	-	M8	0.59	0.40	1.06
1	2.05	1.42	0.78	1.97	-	M8	0.59	0.40	1.06
1 1/2	3.19	2.24	1.42	2.95	1.65	M12	1.03	0.67	1.61
2	3.54	2.24	1.42	2.95	1.65	M12	1.03	0.67	1.61
2 1/2	4.29	2.83	1.78	3.54	2.13	M16	1.38	0.91	1.97
3	4.76	2.83	1.78	3.54	2.13	M16	1.38	0.91	1.97
4	5.63	3.35	2.28	3.86	2.17	M16	1.58	1.07	2.32
6	6.50	3.35	2.26	3.86	2.17	M16	1.58	1.07	2.32
8	7.60	3.78	2.42	4.21	2.36	M16	1.89	1.26	2.68

OPERATIONAL TORQUE, In-lbs*

VALVE SIZE, in	NOMINAL ΔP (150 psi)	MAX RATED ΔP (285 psi)
1/2	104	104
3/4	162	162
1	220	220
1 1/2	577	577
2	1,039	1,039
2 1/2	1,386	1,386
3	2,540	2,540
4	3,463	3,463
6	6,234	6,695
8	8,313	8,774

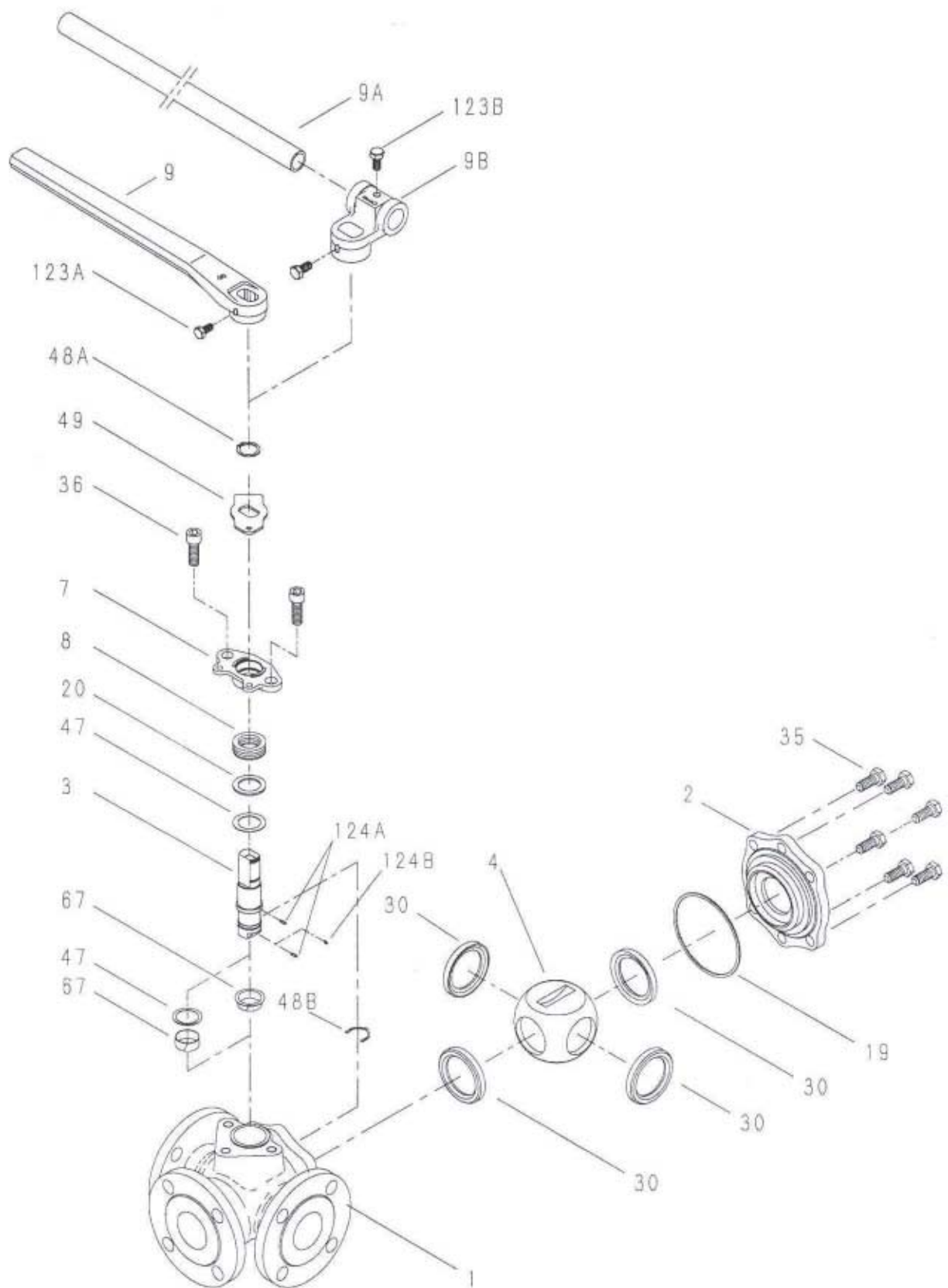
FLOW COEFFICIENT

VALVE SIZE, in	APPROX Cv
1/2	9
3/4	14
1	26
1 1/2	64
2	108
2 1/2	182
3	255
4	460
6	660
8	960

* contains 33% safety factor/clean liquid

CONSTRUCTION and MATERIALS

NO.	PARTS	MATERIALS	SPECIFICATIONS
1	BODY	STAINLESS STEEL	A351 Gr. CF8M
2	BODY CAP	STAINLESS STEEL	A351 Gr. CF8M
3	STEM	STAINLESS STEEL	A276 TYPE 316
4	BALL	STAINLESS STEEL	A276 TYPE 316 (Up to 1") A351 Gr. CF8M (1½" and larger)
7	GLAND	STAINLESS STEEL	A351 Gr. CF8
8	GLAND PACKING	PTFE	
9	HANDLE	DUCTILE IRON	
9A	HANDLE BAR	CARBON STEEL	
9B	HANDLE HEAD	DUCTILE IRON	
19	GASKET	PTFE	
20	PACKING WASHER	STAINLESS STEEL	A276 TYPE 316
30	BALL SEAT	HYPATITE PTFE	
35	CAP BOLT	STAINLESS STEEL	A193 Gr. B8
36	GLAND BOLT	STAINLESS STEEL	A193 Gr. B8
47	THRUST WASHER	G/F PTFE	(2½" and larger. Integral with Stem Bearing (#67) 2" and smaller)
48A	SNAP RING	STAINLESS STEEL	A276 TYPE 304
48B	SNAP RING	STAINLESS STEEL	A276 TYPE 316
49	STOPPER	STAINLESS STEEL	
67	STEM BEARING	G/F PTFE	
123A	HANDLE BOLT	CARBON STEEL	
123B	HANDLE BOLT	CARBON STEEL	
124A	SPRING & PIN	STAINLESS STEEL	A313 & A276 TYPE 316 (¾" and larger)
124B	RING SPRING	STAINLESS STEEL	A313 TYPE 316 (½" only)



CAUTION

Pressure-temperature ratings and other performance data published in this catalog have been developed from our design calculation, in-housetesting, field reports provided by our customers and/or published official standards or specifications. They are good only to cover typical applications as a general guideline to users of KITZ products introduced in this catalog.

For any specific application, users are kindly requested to contact KITZ Corporation for technical advice, or to carry out their own study and evaluation for providing suitability of these products to such an application. Failure to follow this request could result in property damage and/or personal injury, for which we shall not be liable.

While this catalog has been compiled with the utmost care, we assume no responsibility for errors, impropriety or inadequacy. Any information provided in this catalog is subject to from-time-to-time change without notice for error rectification, product discontinuation, design modification, new product introduction or any other cause that KITZ Corporation considers necessary. This edition cancels all previous issues.

ISO 9001 certified since 1989

KITZ[®]

KITZ CORPORATION OF AMERICA

10750 Corporate Drive, Stafford, Texas 77477, USA

Phone: 281-491-7333 Fax: 281-491-9402

Toll Free: 800-772-0073

www.kitz.com

- Distributed by -

